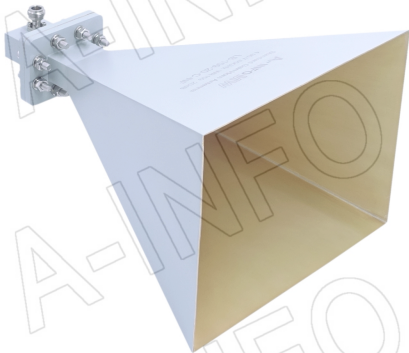


For reference only. See data sheet for the detailed specifications.

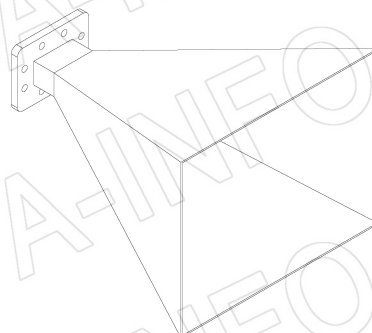
Technical Specification



| | |
|--------------------------|--|
| Frequency Range(GHz) | 4.90 – 7.05 |
| Waveguide | WR159 |
| Gain(dBi) | 20 Typ. |
| Polarization | Linear |
| 3dB Beamwidth(deg) | E Plane: 16 Typ. |
| | H Plane: 18 Typ. |
| Cross Pol. Isolation(dB) | 40 Typ. |
| VSWR | A Type: 1.10:1 Typ. |
| | C Type: 1.25:1 Typ. |
| Output | A Type: FDP58(UDR58) N-Female or SMA-Female |
| | C Type: or TNC-Female or 7mm or 3.5mm-Female |
| Material | Al |
| Finish | Chemical Conversion Coating, Gray Paint |
| Size(mm) | A Type: 225 x 173 x 265 |
| | C Type: 225 x 173 x 315 |
| Net Weight(Kg) | A Type: 0.80 Around |
| | C Type: 1.00 Around |

Outline Drawing (Size: mm)

FDP58 Output (P/N: LB-159-20-A)



AINFO Inc.

China(Beijing): Tel: (+86) 10-6266-7326,
China(Chengdu): Tel: (+86) 28-8519-2786,
USA : Tel: (+1) 949-639-9688,

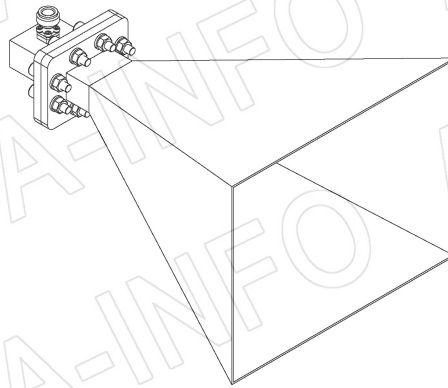
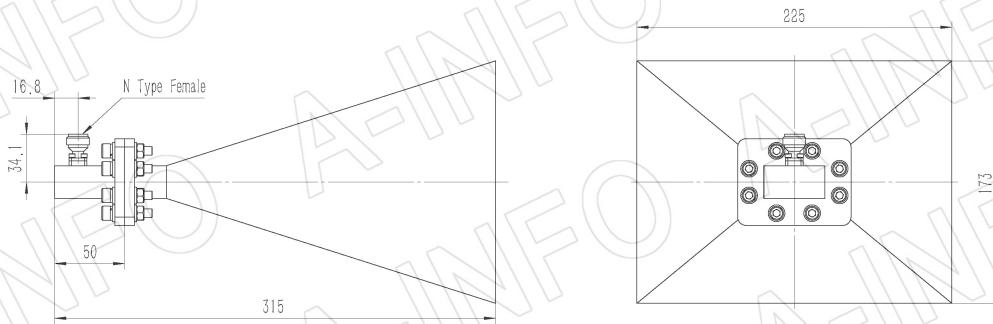
Page 1 of 11

(+86) 10-6266-7327 Fax: (+86) 10-6266-7379
(+86) 28-8519-3044 Fax: (+86) 28-8519-3068
(+1) 949-639-9608 Fax: (+1) 949-639-9670

Website: www.ainfoinc.com
Email: sales@ainfoinc.com

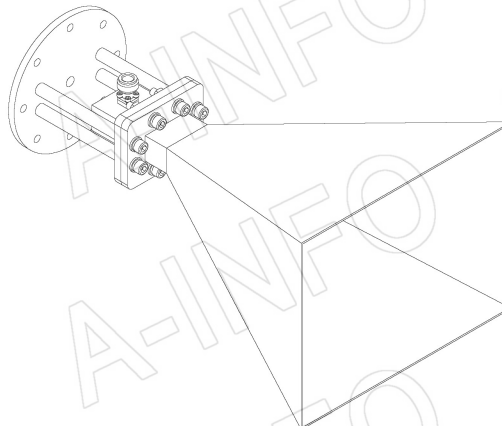
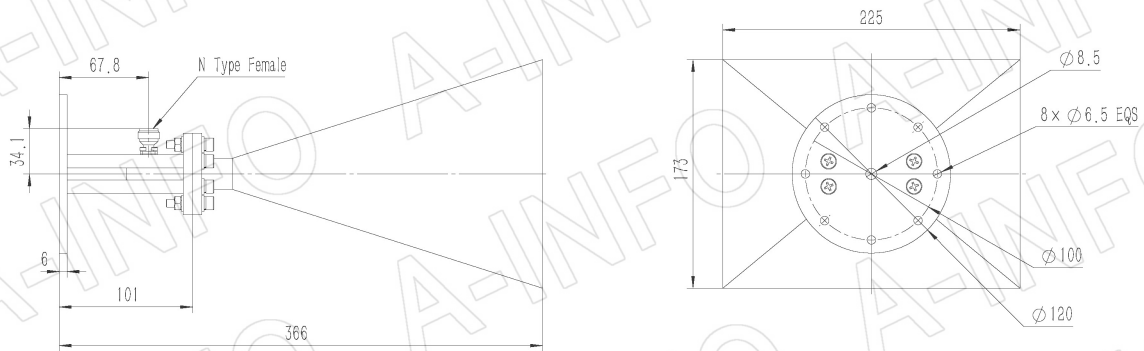
N-Female Output (P/N: LB-159-20-C-NF)

For SMA-Female, TNC- Female, 7mm or 3.5mm-Female output outline drawing, please contact A-INFO.



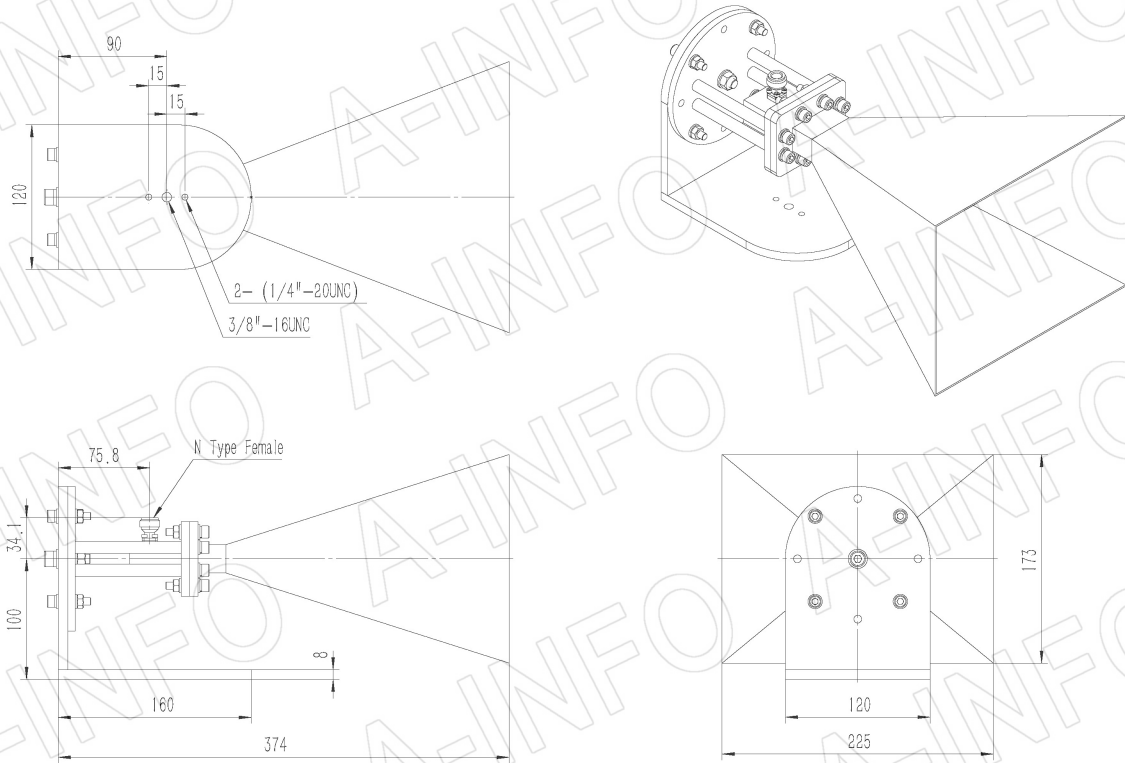
N-Female Output with Round Mounting Bracket (Option, P/N: LB-159-10-C-MB)

For SMA-Female, TNC- Female, 7mm or 3.5mm-Female output outline drawing, please contact A-INFO.

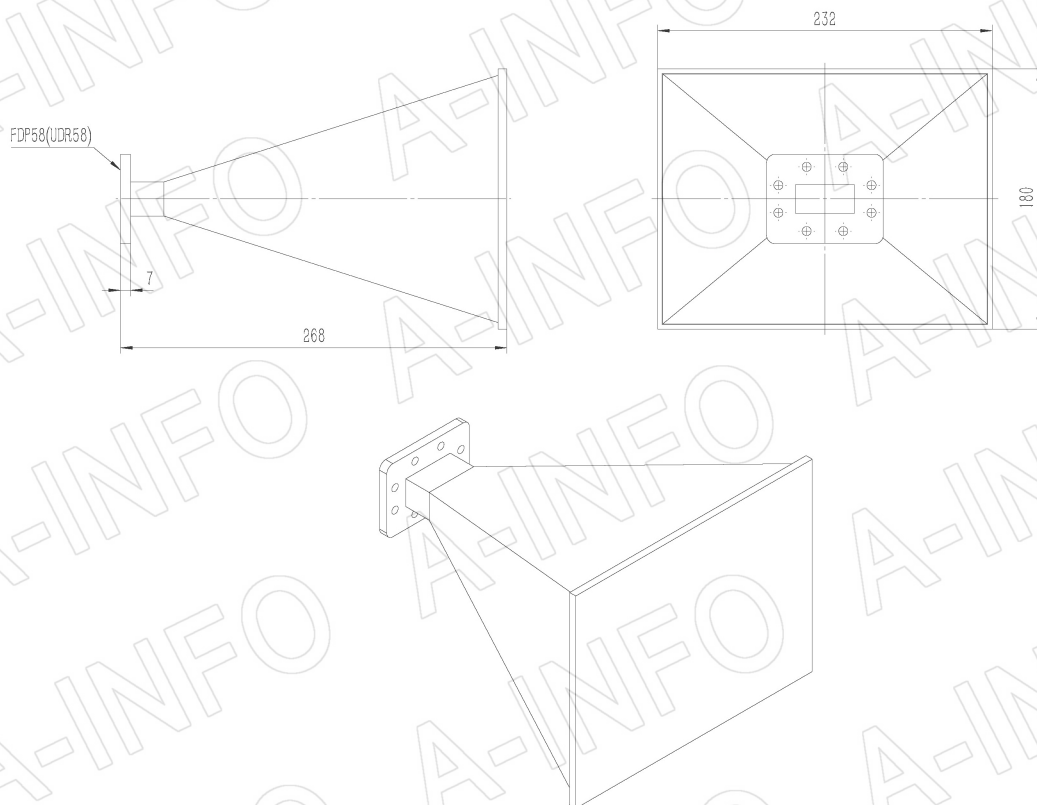


N-Female Output with L Type Mounting Bracket (Option, P/N:LB-159-10-C-MBL)

For SMA-Female, TNC- Female, 7mm or 3.5mm-Female output outline drawing, please contact A-INFO.

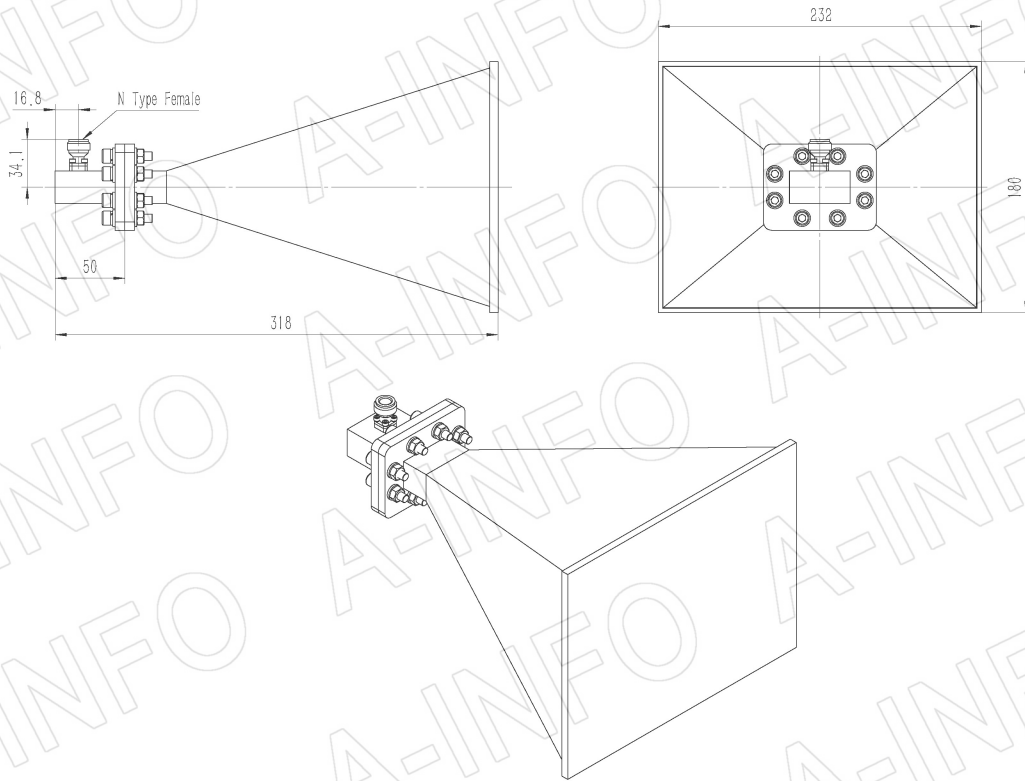


FDP58 Output with Radome (Option, P/N: LB-159-20-ASPO, Outdoor Application)



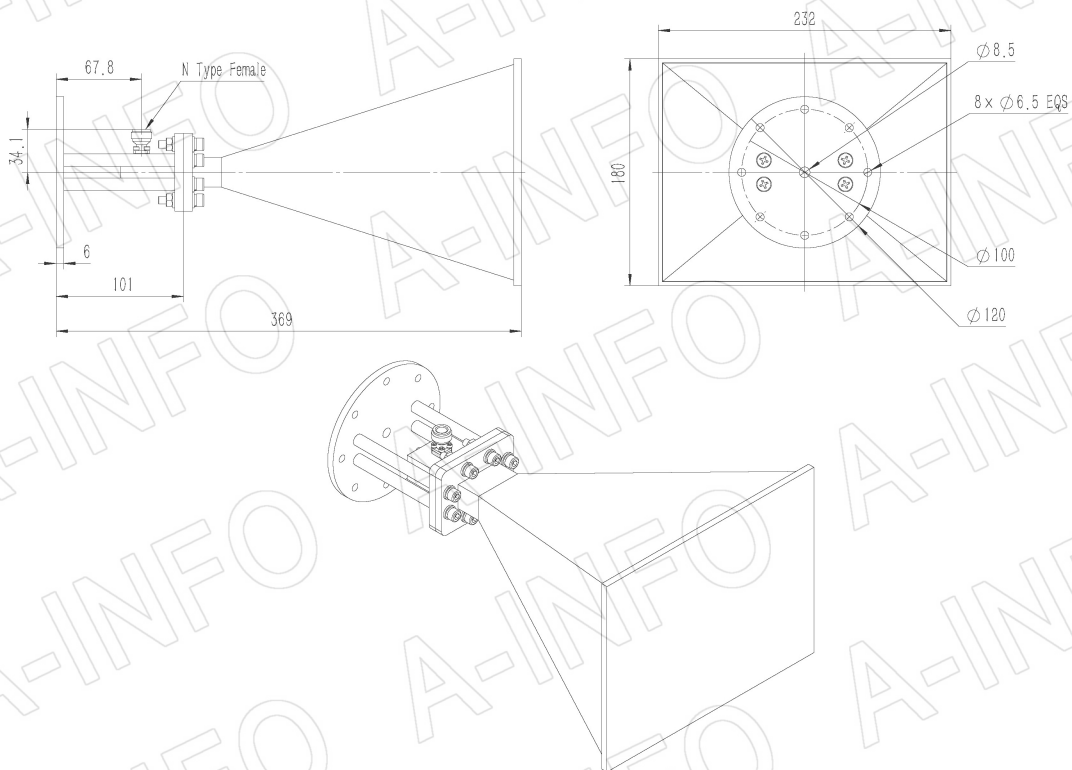
N-Female Output with Radome (Option, P/N: LB-159-20-C-NFSPO, Outdoor Application)

For SMA-Female, TNC- Female, 7mm or 3.5mm-Female output outline drawing, please contact A-INFO.



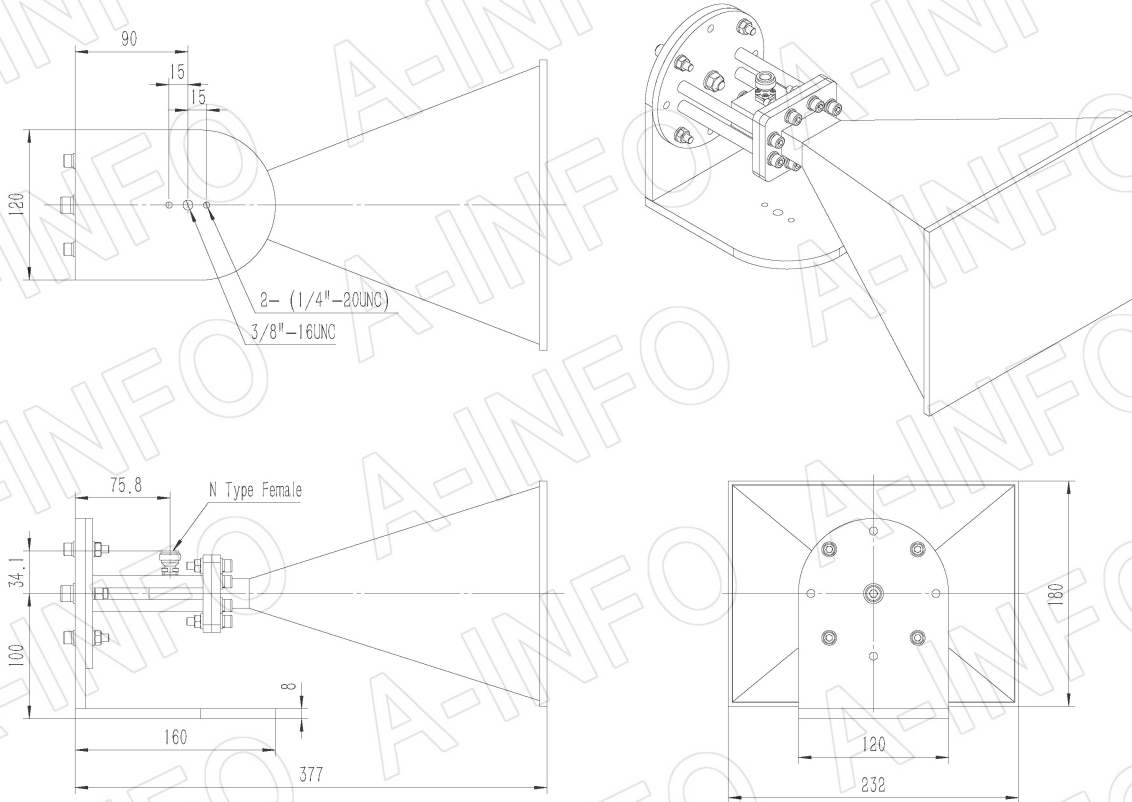
N-Female Output with Round Mounting Bracket & Radome (Option, P/N: LB-159-10-C-MB & LB-159-20-C-NFSPO, Outdoor Application)

For SMA-Female, TNC- Female, 7mm or 3.5mm-Female output outline drawing, please contact A-INFO.

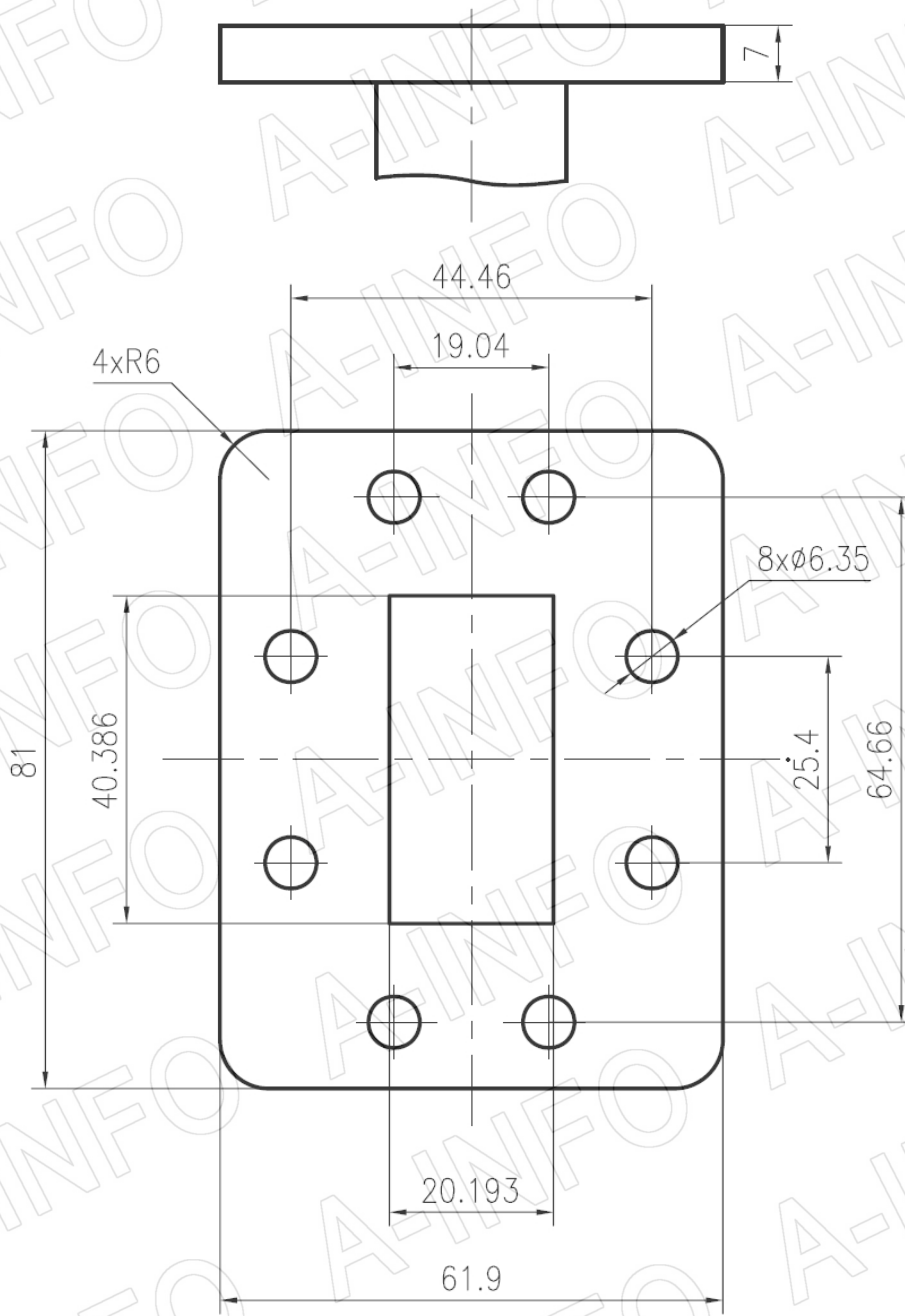


N-Female Output with L Type Mounting Bracket & Radome (Option, P/N: LB-159-10-C-MBL & LB-159-20-C-NFSPO, Outdoor Application)

For SMA-Female, TNC- Female, 7mm or 3.5mm-Female output outline drawing, please contact A-INFO.



Flange Drawing (Size: mm)



FDP58

AINFO Inc.

China(Beijing): Tel: (+86) 10-6266-7326,
 China(Chengdu): Tel: (+86) 28-8519-2786,
 USA : Tel: (+1) 949-639-9688,

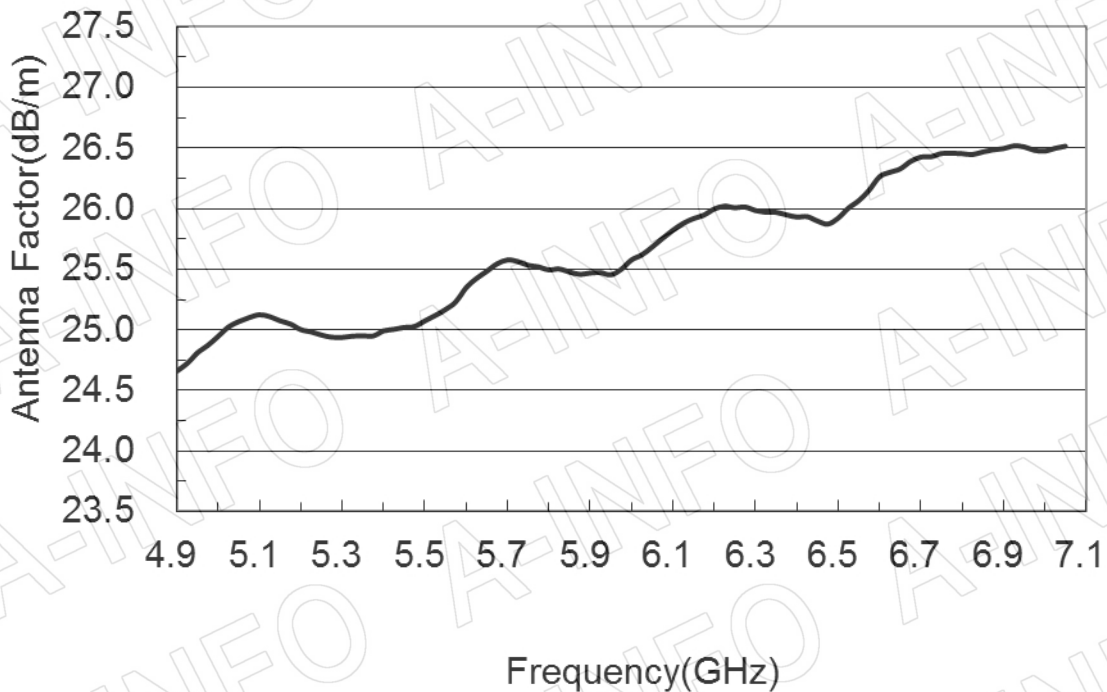
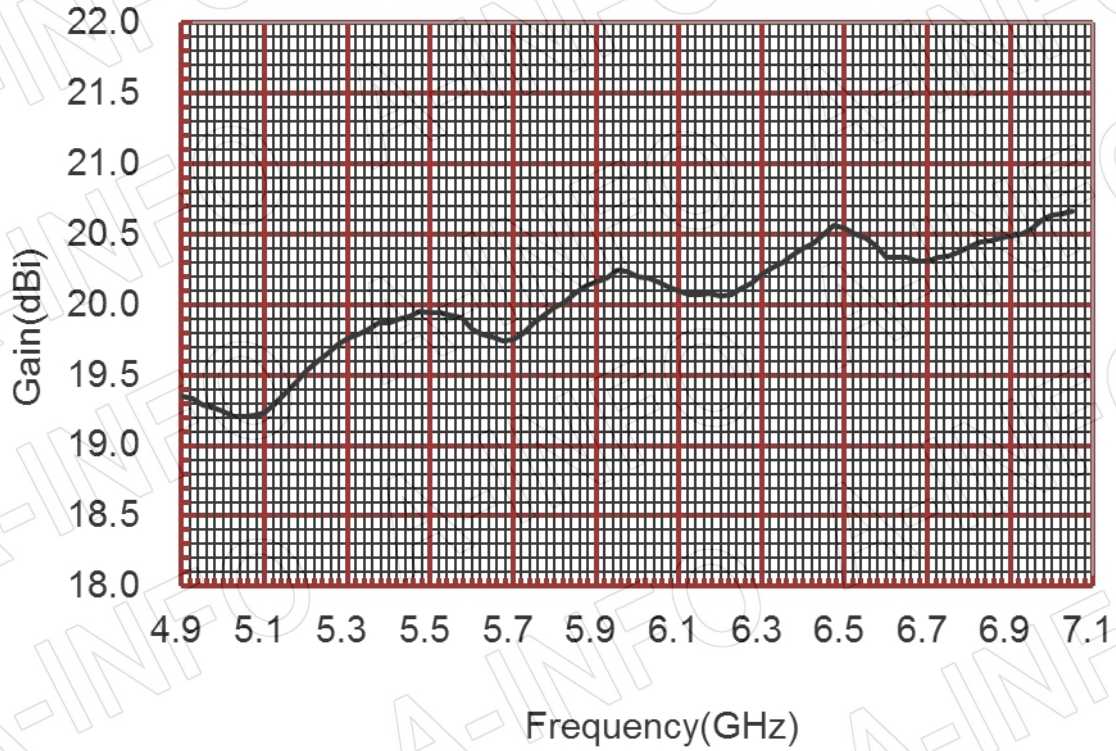
Page 6 of 11

(+86) 10-6266-7327 Fax: (+86) 10-6266-7379
 (+86) 28-8519-3044 Fax: (+86) 28-8519-3068
 (+1) 949-639-9608 Fax: (+1) 949-639-9670

Website: www.ainfoinc.com
 Email: sales@ainfoinc.com

Test Results

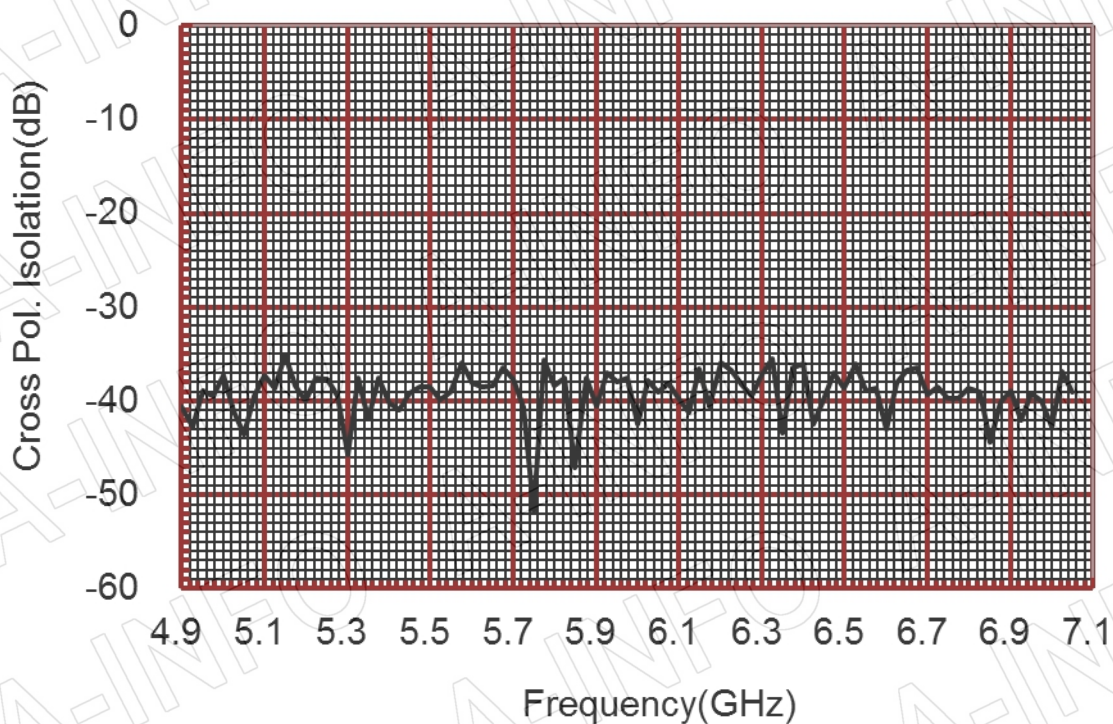
1. Gain & Antenna Factor



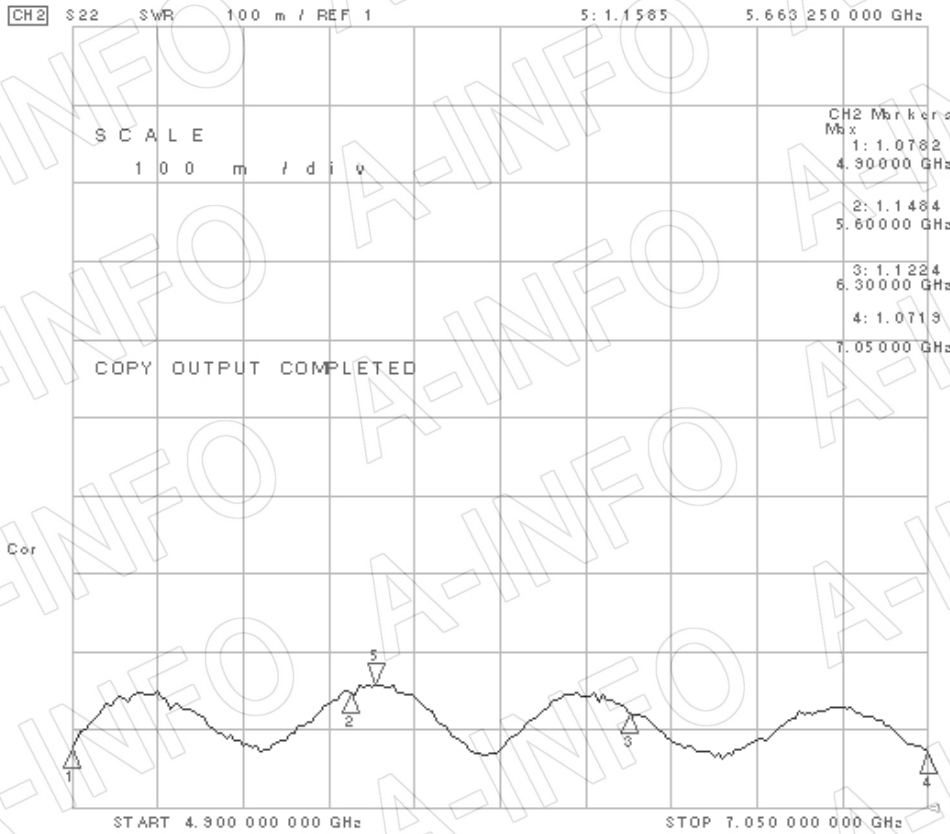
| Frequency (GHz) | Gain (dBi) | Antenna Factor (dB/m) |
|-----------------|------------|-----------------------|
| 4.90 | 19.35 | 24.66 |
| 5.00 | 19.24 | 24.95 |
| 5.10 | 19.24 | 25.12 |
| 5.20 | 19.53 | 25.00 |
| 5.30 | 19.76 | 24.94 |
| 5.40 | 19.87 | 24.99 |
| 5.50 | 19.94 | 25.07 |
| 5.60 | 19.83 | 25.35 |
| 5.70 | 19.75 | 25.58 |
| 5.80 | 19.98 | 25.50 |
| 5.90 | 20.16 | 25.47 |
| 6.00 | 20.20 | 25.58 |

| Frequency (GHz) | Gain (dBi) | Antenna Factor (dB/m) |
|-----------------|------------|-----------------------|
| 6.10 | 20.10 | 25.82 |
| 6.20 | 20.06 | 26.00 |
| 6.30 | 20.21 | 25.98 |
| 6.40 | 20.40 | 25.93 |
| 6.50 | 20.55 | 25.92 |
| 6.60 | 20.34 | 26.26 |
| 6.70 | 20.31 | 26.43 |
| 6.80 | 20.41 | 26.45 |
| 6.90 | 20.49 | 26.50 |
| 7.00 | 20.64 | 26.48 |
| 7.05 | 20.66 | 26.52 |

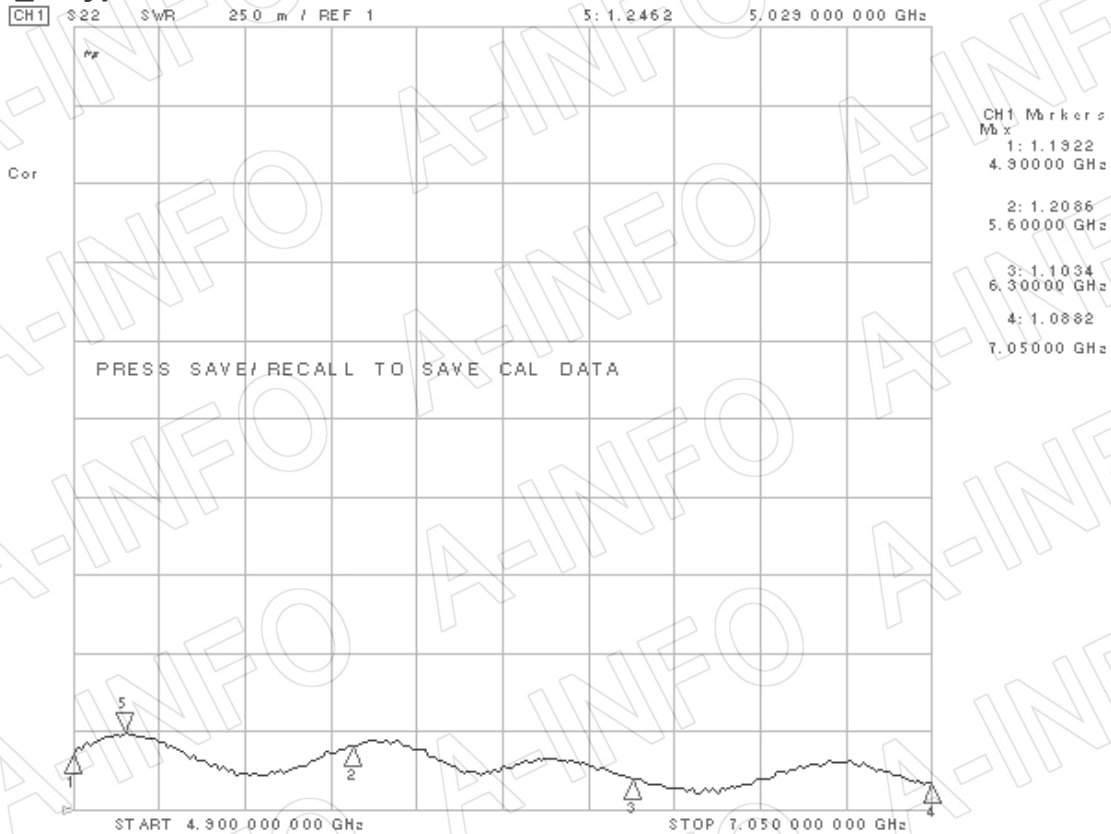
2. Cross Polarization Isolation



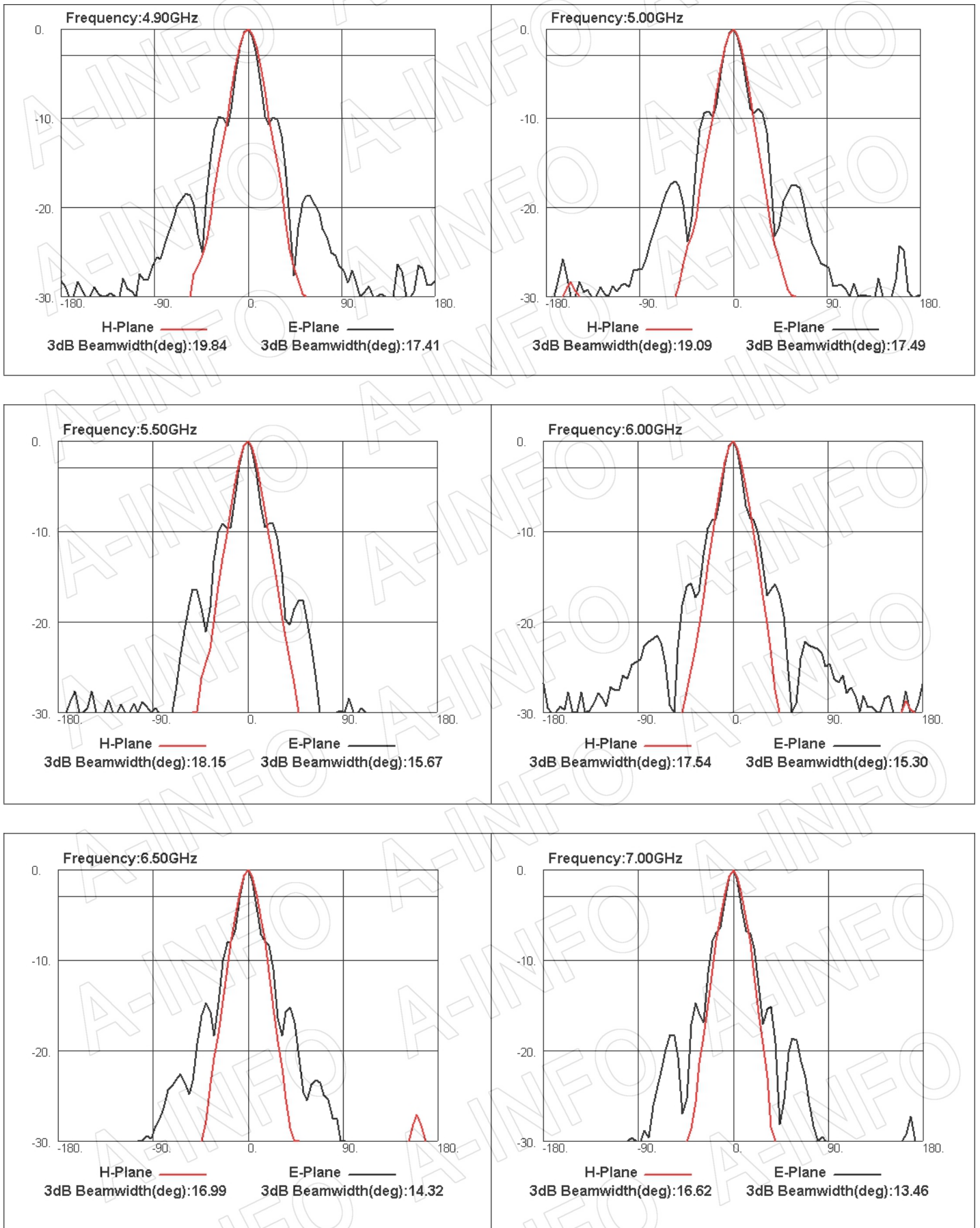
3. VSWR_A Type



VSWR_C Type



4. Pattern



AINFO Inc.

China(Beijing): Tel: (+86) 10-6266-7326,
 China(Chengdu): Tel: (+86) 28-8519-2786,
 USA : Tel: (+1) 949-639-9688,

Page 10 of 11

(+86) 10-6266-7327 Fax: (+86) 10-6266-7379
 (+86) 28-8519-3044 Fax: (+86) 28-8519-3068
 (+1) 949-639-9608 Fax: (+1) 949-639-9670

Website: www.ainfoinc.com
 Email: sales@ainfoinc.com

